

# SYCAMORE

Installation instructions : SY9071WH-PIR 7W LED Dimmable Fire Rated IP65 PIR Sensor Downlight

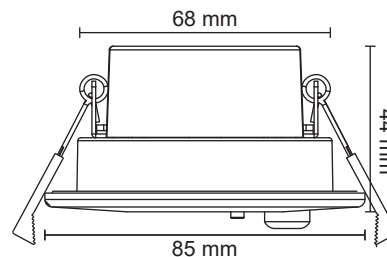
Thank you for purchasing this SycamoreLED.com product. Please make sure instructions are followed carefully prior to and during installation and product is not altered, otherwise warranty may not be valid. For technical support or warranty information please visit [www.sycamoreLED.com](http://www.sycamoreLED.com), or call our dedicated technical helpline +44 (0) 113 2866686.

## IMPORTANT—Please read prior to installation

- 1) Please read these instructions carefully before commencing any work
- 2) Please retain these instructions for future reference
- 3) **This unit must be installed by a qualified electrician in accordance with the IEE wiring regulations and building regulations**
- 4) To prevent electrocution switch the power off at the mains supply before installing or maintaining this fitting
- 5) Ensure others cannot restore the electrical supply without your knowledge

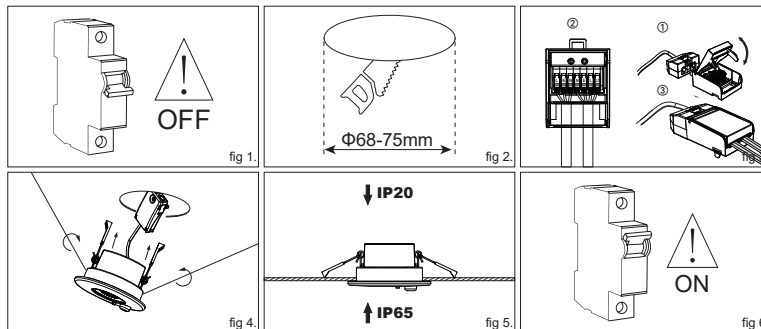
## SPECIFICATION & DIAGRAMS

THE TECHNICAL SPEC...	
Fitting Type	Dimmable LED PIR Sensor, IP65, Fire rated for 30, 60 & 90 minute plasterboard ceilings
Finish	White, Chrome, Brushed Nickel, Gold, Copper and Matt Black Bezel Available
Cut Out	70mm
IP Rating	IP65
Lamp Life	50,000 hours
Colour Temperature	Switchable
Wattage	7W



## INSTALLATION INSTRUCTIONS

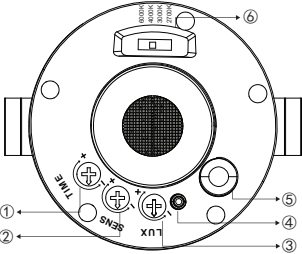
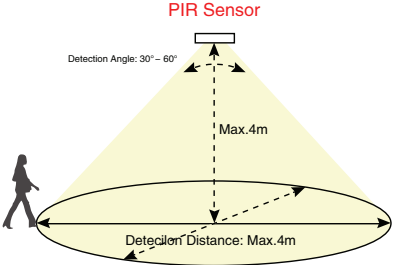
- 1) These products are designed for connection to a 220-240V mains supply.
- 2) Any broken or damaged parts should be replaced as soon as possible
- 3) Always switch off mains supply before installation or servicing.
- 4) This Luminaire is suitable for indoor use only and should not be fitted to damp or wet surfaces such as freshly plastered or painted wall
- 5) This fitting is designed to allow loft insulation to be continuously run over the back of the fitting (IC Rated)
- 6) It is recommended that a sample hole is cut in some scrap material to familiarise yourself with the installation.
- 7) Once you are completely satisfied, locate the area suitable to install these Luminaires. Cut a 70mm round hole in the ceiling and ensure sufficient ceiling void without infringing on joists, water pipes or electrical cables.
- 8) Allow the lighting cable to drop through the aperture. Connect mains cabling to the connector block observing the L for Live and N for Neutral. An earth provision has been provided for termination only.
- 9) Locate the switch at the rear of the fitting, select your desired colour temperature. (2700K, 3000K, 4000K or 6000K)
- 10) Ensure all cables are neatly dressed away from any secondary heat sources.
- 11) Turn on the mains supply to test the Luminaire.



①. Time Setting  
 TIME - 5s 5s - 10mins  
 TIME + 10mins

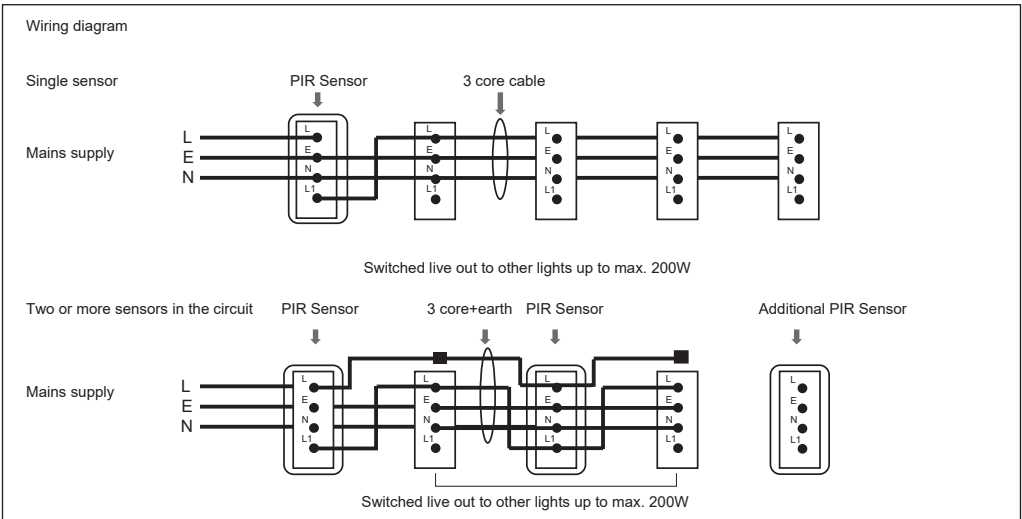
②. Sensitivity setting  
 SENSE - 0.1m - 4m  
 SENSE +

③. Lux setting  
 LUX - 0LUX(-) - 1000LUX(+)  
 LUX +






④. Light Sensor    ⑤. PIR Sensor    ⑥. CCT Setting Switch

Remark:  
 Pressing the wall switch twice in succession will keep the light on for 8 hours, after 8 hours the settings will automatically revert.



This product contains a light source of energy efficiency class F


EnabledLED  
 Licensing Program for LED  
 Luminaires and Retrofit Bulbs

Member  
 Sycamore Lighting  
 Limited



Address : Sycamore Lighting , Unit 5a Helios 47,  
 3 Isabella Road, Garforth, Leeds, LS25 2DY  
 Technical helpline : 0113 2866686  
 \*Please email sales@sycamoreled.com to register your product

